



## S-SERIES SUBWOOFER HAUT-PARLEUR D'EXTRÊMES GRAVES S-SERIES APPLICATION GUIDE GUIDE D' APPLICATION

### S-W12D4

12 Inch Dual Voice Coil Subwoofer (40)+(40)  
Haut-parleur d'extrêmes graves à double bobine 12 po (40)+(40)

### S-W12D2

12 Inch Dual Voice Coil Subwoofer (20)+(20)  
Haut-parleur d'extrêmes graves à double bobine 12 po (20)+(20)

### S-W10D4

10 Inch Dual Voice Coil Subwoofer (40)+(40)  
Haut-parleur d'extrêmes graves à double bobine 10 po (40)+(40)

### S-W10D2

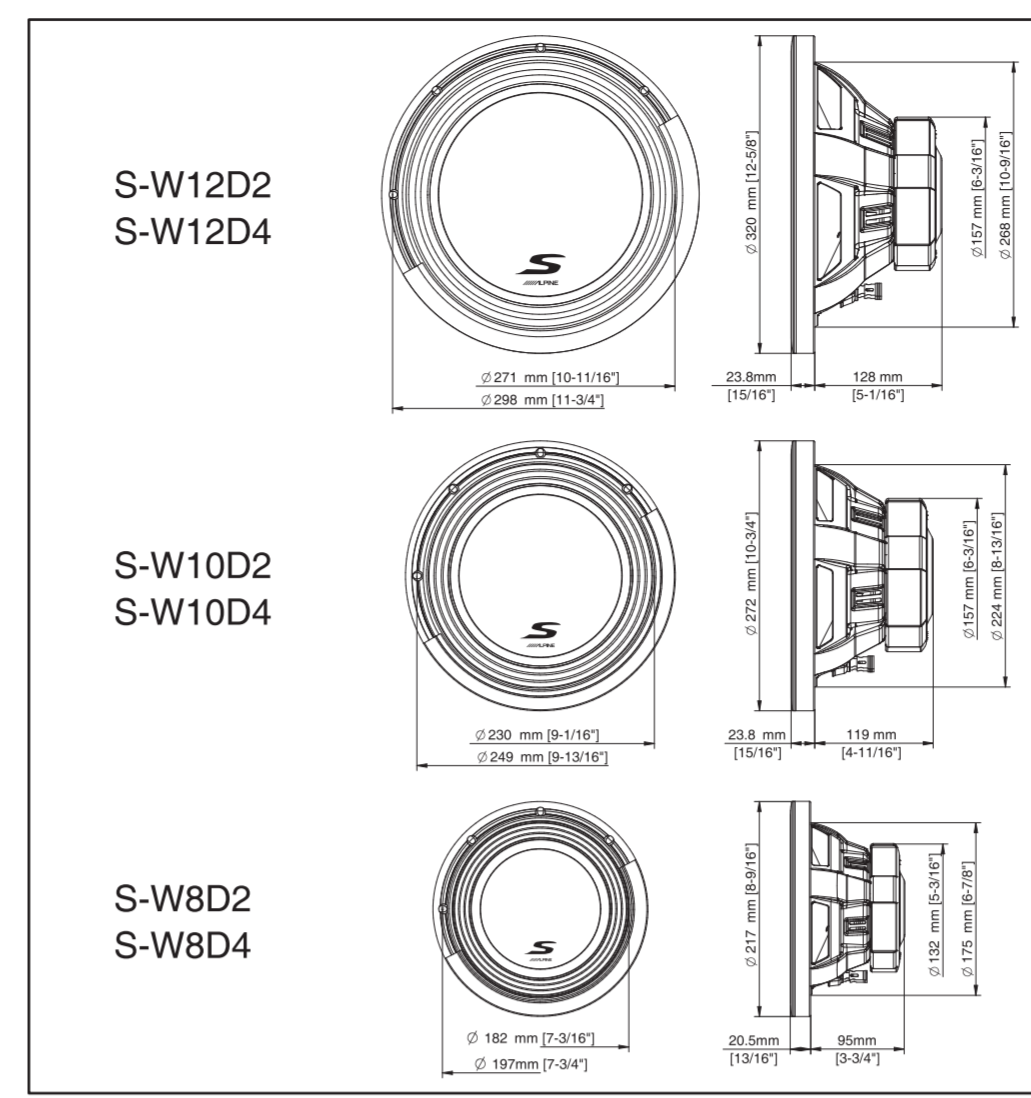
10 Inch Dual Voice Coil Subwoofer (20)+(20)  
Haut-parleur d'extrêmes graves à double bobine 10 po (20)+(20)

### S-W8D4

8 Inch Dual Voice Coil Subwoofer (40)+(40)  
Haut-parleur d'extrêmes graves à double bobine 8 po (40)+(40)

### S-W8D2

8 Inch Dual Voice Coil Subwoofer (20)+(20)  
Haut-parleur d'extrêmes graves à double bobine 8 po (20)+(20)



**ALPINE ELECTRONICS MARKETING, INC.**  
1-7, Yukiya-Otsukamachi, Ota-ku  
Tokyo 145-0067, Japan  
Tel.: 03-5499-4531

**ALPINE ELECTRONICS OF AMERICA, INC.**  
19145 Gramercy Place  
Torrance, California 90501 U.S.A.  
Tel.: 1(910)329-8090

**ALPINE ELECTRONICS, INC.**  
Tokyo office:  
1-1-8 Nishi-Gotanda, Shinjyogama-ku,  
Tokyo 141-8501, Japan  
Phone: 81(3) 3494-1101

**ALPINE ELECTRONICS DE ESPAÑA, S.A.**  
Portal de Gernera 36, Pabellón 32  
01013 Vitoria (Álava),  
APOD 133, Spain  
Tel.: 945-283588

**ALPINE ELECTRONICS (CHINA) CO., LTD.**  
R2-4F, China Merchants Tower  
No.116 Jiangsu Street, Chaoyang District,  
Beijing 100022, China  
Phone: 86(10)6566-0308

**ALPINE ELECTRONICS GmbH**  
Wibbeln/Wegscheid-Strasse 1-3,  
80607 Munich,  
Germany  
Phone: 49(0)89-324264-0

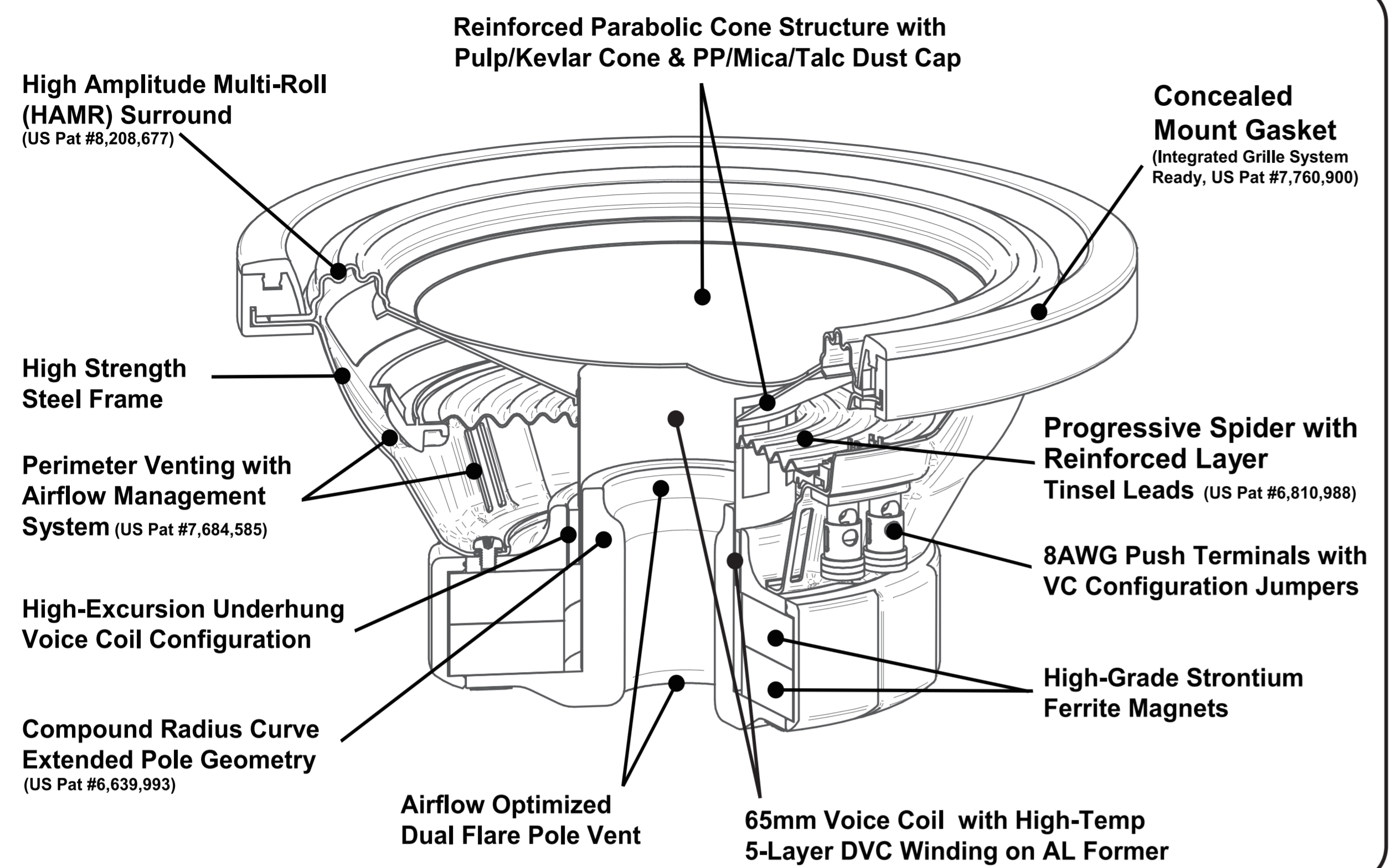
**ALPINE ELECTRONICS OF AUSTRALIA PTY. LTD.**  
161-165 Princes Highway, Hallam  
Victoria 3802, Australia  
Tel.: 03-8767-1500

**ALPINE ELECTRONICS OF U.K., LTD.**  
Alpine House Earplace Business Park,  
Flethamstead Highway,  
Coventry CV5 9TW, U.K.  
Phone: 44-2476-719500

**ALPINE ELECTRONICS FRANCE S.A.R.L.**  
184 allée des Erables  
CS 52016 - Vitry-sur-Seine  
95 945 Rosny CDG cedex  
FRANCE  
Phone: +33 1 48 63 89 89

**ALPINE ITALY S.p.A.**  
Viale C. Colombo 8,  
20090 Trezzano sul  
Naviglio (MI), Italy  
Tel.: 02-484781

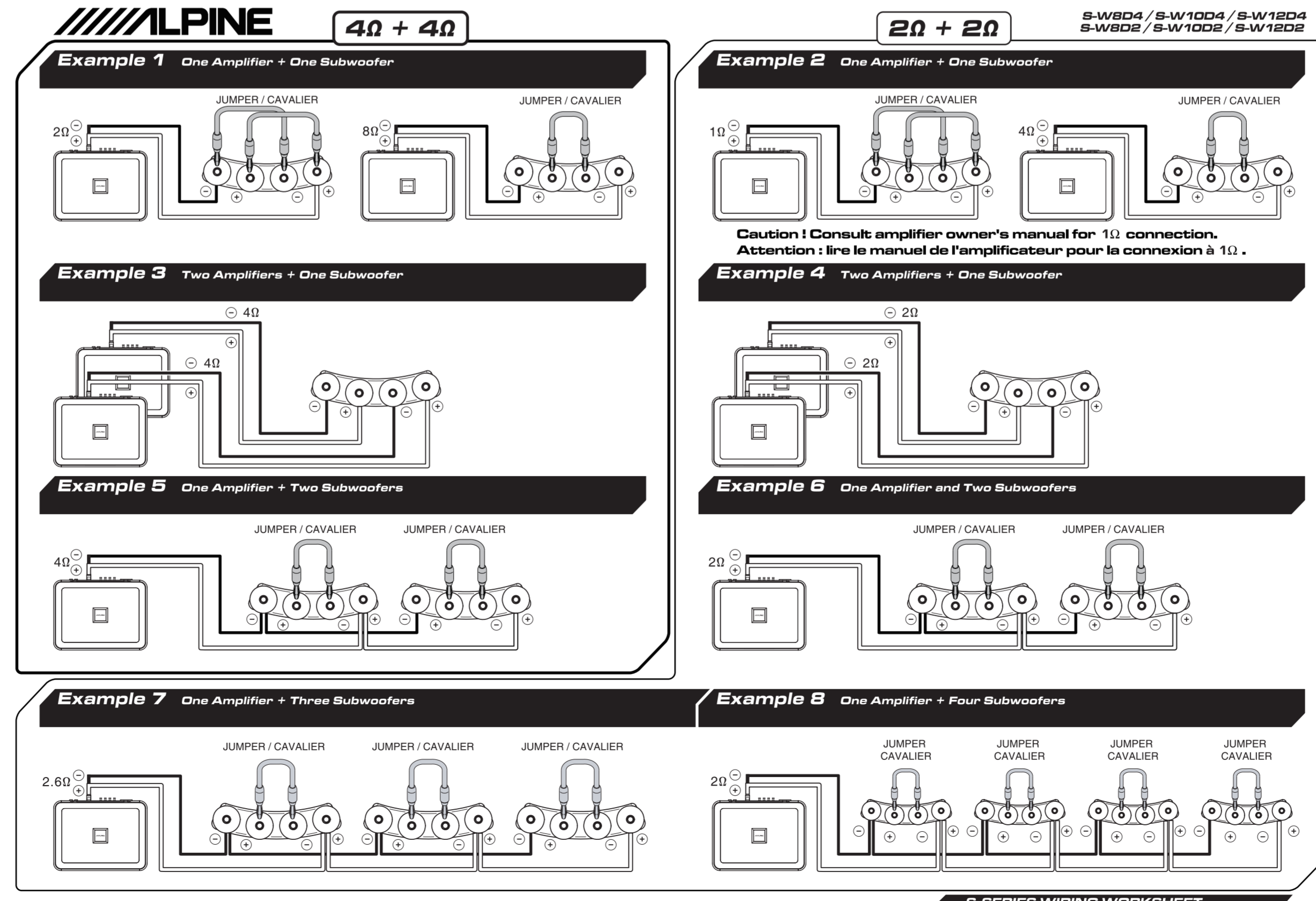
Printed in CHINA



| General Specifications |                         |              | S-Series                                   |        |   |           |           |            |
|------------------------|-------------------------|--------------|--|--------|---|-----------|-----------|------------|
|                        |                         |              | S-W8D2                                     | S-W8D4 | S-W10D2                                     | S-W10D4   | S-W12D2   | S-W12D4    |
|                        |                         |              | 20+20                                      | 40+40  | 20+20                                       | 40+40     | 20+20     | 40+40      |
| Sealed                 | Taille                  |              | 8"   |        | 10"   |           |           | 12"        |
| Frequency Response     | Response en Fréquence   |              |  |        | 26Hz-200Hz                                  |           |           | 24Hz-200Hz |
| Power Range            | Plage de Puissance      |              | 150W-300W RMS                              |        | 250W-600W RMS                               |           |           |            |
| Power Handling         | Puissance Admissible    |              | 300W RMS (efficace) / 900W PEAK (de crête) |        | 600W RMS (efficace) / 1800W PEAK (de crête) |           |           |            |
| Magnet Weight          | Poids de l'aimant       |              | 34 oz                                      |        | 64 oz                                       |           |           |            |
| Voice Coil Diameter    | Diamètre de la bobine   |              | 35.55 mm (1.4")                            |        | 65.5 mm (2.6")                              |           |           |            |
| Thiel-Small Parameters |                         |              |  |        |   |           |           |            |
| Sensitivity (1W/1m)    | Sensibilité (1W/1m)     | SPL          |  |        | 85.0 dB                                     | 85.3 dB   | 86.2 dB   | 86.4 dB    |
| DC Resistance          | Résistance CC           | Re           |  |        | 1.80+1.80                                   | 3.80+3.80 | 1.70+1.70 | 3.80+3.80  |
| Inductance             | Inductance              | Le           |  |        | 3.85 mH                                     | 1.59 mH   | 3.79 mH   | 1.55 mH    |
| Free Air Resonance     | Résonance à l'air libre | Fs           |  |        | 33 Hz                                       | 34 Hz     | 31 Hz     | 31 Hz      |
| Equivalent Stiffness   | Raidier équivalente     | Vas          |  |        | 24.3 L                                      | 24.7 L    | 44.6 L    | 46.4 L     |
| Mechanical Q           | Q Mécanique             | Qms          |  |        | 4.43  | 4.21      | 4.69      | 4.68       |
| Electrical Q           | Q Électrique            | Qes          |  |        | 0.48  | 0.51      | 0.57      | 0.58       |
| Total Q                | Q Total                 | Qts          |  |        | 0.44  | 0.46      | 0.51      | 0.52       |
| Cone Area              | Surface du diaphragme   | Sd           |  |        | 194 cm²                                     | 330 cm²   |           | 472 cm²    |
| Linear Excursion       | Déplacement Linéaire    | Xmax (1-way) |  |        | 13 mm                                       |           | 15 mm     |            |
| Mechanical Travel      | Déplacement Mécanique   | Xmech (P-P)  |  |        | 40 mm                                       |           | 64 mm     |            |

Note: Specifications subject to change without notice

### APPLICATION DIAGRAMS



S-SERIES WIRING WORKSHEET  
CABLAGE POUR S-SERIES

|                        |                          | S-W8D2/D4 | S-W10D2/D4                                     | S-W12D2/D4                                     |
|------------------------|--------------------------|-----------|--|--|
| Sealed Box Range       | Net Internal Volume      |           | 0.4-0.85 ft³                                   | 0.55-1.0 ft³                                   |
|                        | External Box Dimensions  |           | 12"x12"x10.5"                                  | 14"x14"x11"                                    |
|                        | Gross Internal Volume    |           | 0.58 ft³                                       | 0.85 ft³                                       |
| Recommended Sealed Box | Net Internal Volume      |           | 0.53 ft³                                       | 0.79 ft³                                       |
|                        | F3, Qtc                  |           | D2: 47 Hz, 0.73<br>D4: 48 Hz, 0.77             | D2: 41 Hz, 0.88<br>D4: 42 Hz, 0.91             |
|                        | Net Internal Volume      |           | 0.75-1.3 ft³                                   | 1.0-1.5 ft³                                    |
| Vented Box Range       | Tuning                   |           | 35-39Hz  | 32-37Hz  |
|                        | External Box Dimensions  |           | 23"x12"x11.5"                                  | 23"x12.5"x14"                                  |
| Recommended Vented Box | Gross Internal Volume    |           | 1.3 ft³  | 1.71 ft³                                       |
|                        | Vent Area (dimensions)   |           | 10in² (10"x 1")                                | 12.5in² (12.5"x 1")                            |
|                        | Vent length              |           | 17"  | 16"  |
|                        | Vent Displacement        |           | 0.17 ft³                                       | 0.20 ft³                                       |
|                        | Net Internal Volume (Vb) |           | 1.06 ft³                                       | 1.45 ft³                                       |
|                        | F3, ripple, Fb           |           | D2: 29Hz, 2.9dB, 35Hz<br>D4: 29Hz, 2.3dB, 35Hz | D2: 30Hz, 3.3dB, 34Hz<br>D4: 30Hz, 4.1dB, 34Hz |

Notes:  
1) Recommended enclosure net internal volume is based upon 3/4" (19mm) MDF enclosure construction.  
2) Consult the table below for alternative enclosure net internal volume calculation.

| Front Mount Displacement* (magnet in)    | S-W8D2/D4 | S-W10D2/D4 | S-W12D2/D4 |
|--|-----------|------------|------------|
|  | -0.05ft³  | -0.06ft³   | -0.06ft³   |
| Reverse Mount Added Volume* (magnet out) | +0.05ft³  | +0.07ft³   | +0.07ft³   |

\*Based upon 3/4" (19mm) baffle thickness, with opening cut approximately to gasket inner diameter

|                                |                              | S-W8D2/D4 | S-W10D2/D4                                     | S-W12D2/D4                                     |
|--------------------------------|------------------------------|-----------|--|--|
| Gamma Box Sealed               | Net volume interne           |           | 0.4-0.85 pi³                                   | 0.55-1.0 pi³                                   |
|                                | Dimensions extérieures       |           | 12 po x12 po x10.5 po                          | 14 po x14 po x11 po                            |
|                                | Volume intérieur brut        |           | 0.58 pi³                                       | 0.85 pi³                                       |
| recommended Boîte Scellée      | Volume intérieur Net ***     |           | 0.53 pi³                                       | 0.79 pi³                                       |
|                                | F3, Qtc                      |           | D2: 47 Hz, 0.73<br>D4: 48 Hz, 0.77             | D2: 41 Hz, 0.88<br>D4: 42 Hz, 0.91             |
|                                | Volume net interne           |           | 0.75-1.3 pi³                                   | 1.0-1.5 pi³                                    |
| Gamma charge bass-reflex       | mise au point                |           | 35-39Hz  | 32-37Hz  |
|                                | Dimensions extérieures       |           | 23 po x12 po x11.5 po                          | 23 po x12.5 po x14 po                          |
|                                | Volume intérieur brut        |           | 1.3 pi³  | 1.71 pi³                                       |
|                                | Aire de l'évent (dimensions) |           | 10in² (10 po x 1 po)                           | 12.5in² (12.5 po x 1 po)                       |
|                                | Longueur de l'évent          |           | 17"  | 16"  |
|                                | déplacement de l'évent       |           | 0.17 pi³                                       | 0.20 pi³                                       |
| recommended charge bass-reflex | Volume intérieur Net (Vb)*** |           | 1.08 pi³                                       | 1.45 pi³                                       |
|                                | F3, crête, Fb                |           | D2: 29Hz, 2.9dB, 35Hz<br>D4: 29Hz, 2.3dB, 35Hz | D2: 30Hz, 3.3dB, 34Hz<br>D4: 30Hz, 4.1dB, 34Hz |

Notes:  
1) Recommandé enceinte volume net interne est basée sur 3/4" (19mm) de construction boîtier en MDF.  
2) Consulter le tableau ci-dessous pour le calcul de filet d'enclos alternative volume interne.

| Inverser Volume mont Ajouts * (des aimants) | S-W8D2/D4 | S-W10D2/D4 | S-W12D2/D4 |
|---|-----------|------------|------------|
|   | -0.05ft³  | -0.06ft³   | -0.06ft³   |
| Inverser Volume mont Ajouts * (des aimants) | +0.05ft³  | +0.07ft³   | +0.07ft³   |

\* Sur la base de l'épaisseur du déflecteur 3/4" (19mm), avec une ouverture coupée à peu près à joint diamètre intérieur