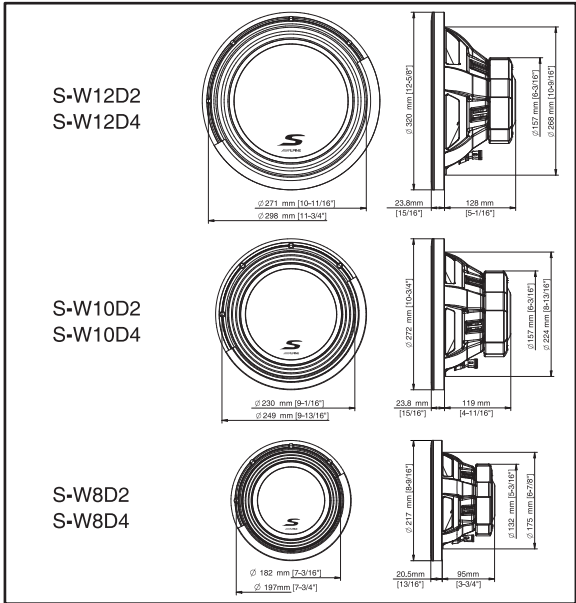


# SPECIFICATIONS

General Specifications			S-Series					
			S-W8D2	S-W8D4	S-W10D2	S-W10D4	S-W12D2	S-W12D4
			2Ω+2Ω	4Ω+4Ω	2Ω+2Ω	4Ω+4Ω	2Ω+2Ω	4Ω+4Ω
Sealed	Taille		8"		10"		12"	
Frequency Response	Response en Fréquence		26Hz-200Hz				24Hz-200Hz	
Power Range	Plage de Puissance		150W-300W RMS			250W-600W RMS		
Power Handling	Puissance Admissible		300W RMS (efficace) / 900W PEAK (de crête)			600W RMS (efficace) / 1800W PEAK (de crête)		
Magnet Weight	Poids de l'aimant		34 oz			64 oz		
Voice Coil Diameter	Diamètre de la bobine		35.55 mm (1.4")			65.5 mm (2.6")		
Thie-Small Parameters								
Sensitivity (1W/1m)	Sensibilité (1W/1m)	SPL			85.0 dB	85.3 dB	86.2 dB	86.4 dB
DC Resistance	Résistance CC	Re			1.80+1.80	3.80+3.80	1.70+1.70	3.80+3.80
Inductance	Inductance	Le			3.85 mH	1.59 mH	3.79 mH	1.55 mH
Free Air Resonance	Résonance à l'air libre	Fs			33 Hz	34 Hz	31 Hz	31 Hz
Equivalent Stiffness	Raiduer équivalente	Vas			24.3 L	24.7 L	44.6 L	46.4 L
Mechanical Q	Q Mécanique	Qms			4.43	4.21	4.69	4.68
Electrical Q	Q Électrique	Qes			0.48	0.51	0.57	0.58
Total Q	Q Total	Qts			0.44	0.46	0.51	0.52
Cone Area	Surface du diaphragme	Sd	194 cm²		330 cm²		472 cm²	
Linear Excursion	Displacement Linéaire	Xmax (1-way)	13 mm		15 mm			
Mechanical Travel	Déplacement Mécanique	Xmech (P-P)	40 mm		64 mm			



		S-W8D2/D4	S-W10D2/D4	S-W12D2/D4
Sealed Box Range	Net Internal Volume		0.4-0.85 ft³	0.55-1.0 ft³
	External Box Dimensions		12"x12"x10.5"	14"x14"x11"
Recommended Sealed Box	Gross Internal Volume		0.58 ft³	0.85 ft³
	Net Internal Volume		0.53 ft³	0.79 ft³
	F3, Qtc		D2: 47 Hz, 0.73 D4: 48 Hz, 0.77	D2: 41 Hz, 0.88 D4: 42 Hz, 0.91
Vented Box Range	Net Internal Volume		0.75-1.3 ft³	1.0-1.5 ft³
	Tuning		35-39Hz	32-37Hz
Recommended Vented Box	External Box Dimensions		23"x12"x11.5"	23"x12.5"x14"
	Gross Internal Volume		1.3 ft³	1.71 ft³
	Vent Area (dimensions)		10in² (10"x 1")	12.5in² (12.5"x 1")
	Vent Length		17"	16"
	Vent Displacement		0.17 ft³	0.20 ft³
	Net Internal Volume (Vb)		1.08 ft³	1.45 ft³
	F3, ripple, Fb		D2: 29Hz, 2.9dB, 35Hz D4: 29Hz, 2.3dB, 35Hz	D2: 30Hz, 3.3dB, 34Hz D4: 30Hz, 4.1dB, 34Hz

NOTE:  
For product improvement, specifications and design are subject to change without notice.